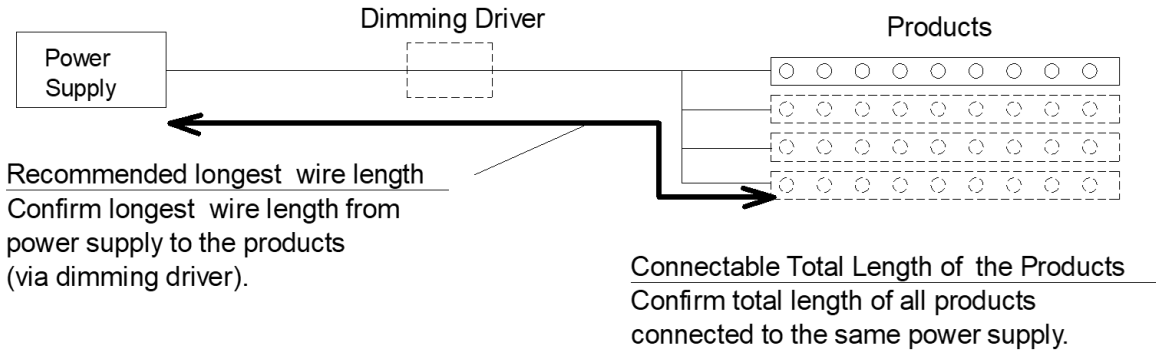


Length of the Products and Wires

Product	TMV30-06L
----------------	------------------

Power consumption: 6W/m



Connectable Total Length of the Products. (When use HLG power supply)

- Please use the power supply at 70% output, for the long term reliability.
- If total length of the products exceed "Maximum series connectios length", connect them in parallel.

Power supply	Rated output	Recommended output	Connectable Length
HLG-60H-24	60.0 W	42.0 W	7.0 m
HLG-100H-24	96.0 W	67.0 W	11.1 m
HLG-150H-24	150.0 W	105.0 W	17.5 m
HLG-240H-24	240.0 W	168.0 W	28.0 m
HLG-320H-24	320.0 W	224.0 W	37.3 m
-	-	-	-
-	-	-	-

Recommended longest wire length from power supply to the products

- If the wiring exceeds the following length, brightness reduction may be conspicuous.
- When using multiple products, wiring to each products should be the same length.

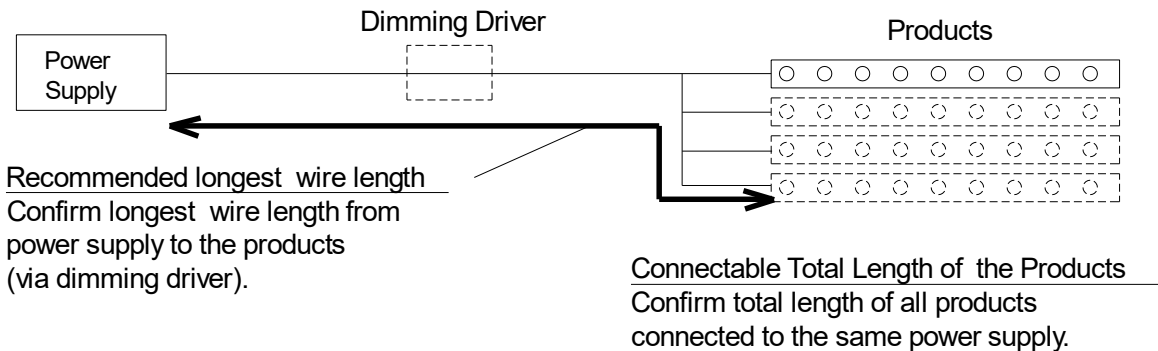
Cable Cores: 2C		VCTF/Twisted wire (mm ²)			VVF/Single Wire (φmm)		
Product Length	Power consumption	0.75sq/2C	1.25sq/2C	2sq/2C	1.6mm/2C	2mm/2C	2.6mm/2C
0.5 m	3.0 W	169 m	281 m	449 m	452 m	706 m	1192 m
1.0 m	6.0 W	84 m	140 m	225 m	226 m	353 m	596 m
1.5 m	9.0 W	56 m	94 m	150 m	151 m	235 m	397 m
2.0 m	12.0 W	42 m	70 m	112 m	113 m	176 m	298 m
2.5 m	15.0 W	34 m	56 m	90 m	90 m	141 m	238 m
3.0 m	18.0 W	28 m	47 m	75 m	75 m	118 m	199 m
3.5 m	21.0 W	24 m	40 m	64 m	65 m	101 m	170 m
4.0 m	24.0 W	21 m	35 m	56 m	56 m	88 m	149 m
4.5 m	27.0 W	19 m	31 m	50 m	50 m	78 m	132 m
5.0 m	30.0 W	17 m	28 m	45 m	45 m	71 m	119 m
5.5 m	33.0 W	15 m	26 m	41 m	41 m	64 m	108 m
6.0 m	36.0 W	14 m	23 m	37 m	38 m	59 m	99 m
6.5 m	39.0 W	13 m	22 m	35 m	35 m	54 m	92 m
7.0 m	42.0 W	12 m	20 m	32 m	32 m	50 m	85 m
7.5 m	45.0 W	11 m	19 m	30 m	30 m	47 m	79 m
8.0 m	48.0 W	11 m	18 m	28 m	28 m	44 m	75 m
8.5 m	51.0 W	10 m	17 m	26 m	27 m	42 m	70 m
9.0 m	54.0 W	9 m	16 m	25 m	25 m	39 m	66 m
9.5 m	57.0 W	9 m	15 m	24 m	24 m	37 m	63 m
10.0 m	60.0 W	8 m	14 m	22 m	23 m	35 m	60 m

Above are approximate values.

Length of the Products and Wires

Product	TMV30-10L
----------------	------------------

Power consumption: 11W/m



Connectable Total Length of the Products. (When use HLG power supply)

- Please use the power supply at 70% output, for the long term reliability.
- If total length of the products exceed "Maximum series connectios length", connect them in parallel.

Power supply	Rated output	Recommended output	Connectable Length
HLG-60H-24	60.0 W	42.0 W	3.8 m
HLG-100H-24	96.0 W	67.0 W	6.0 m
HLG-150H-24	150.0 W	105.0 W	9.5 m
HLG-240H-24	240.0 W	168.0 W	15.2 m
HLG-320H-24	320.0 W	224.0 W	20.3 m
-	-	-	-
-	-	-	-

Recommended longest wire length from power supply to the products

- If the wiring exceeds the following length, brightness reduction may be conspicuous.
- When using multiple products, wiring to each products should be the same length.

Cable Cores: 2C		VCTF/Twisted wire (mm ²)			VVF/Single Wire (φmm)		
Product Length	Power consumption	0.75sq/2C	1.25sq/2C	2sq/2C	1.6mm/2C	2mm/2C	2.6mm/2C
0.5 m	5.5 W	92 m	153 m	245 m	246 m	385 m	650 m
1.0 m	11.0 W	46 m	77 m	123 m	123 m	192 m	325 m
1.5 m	16.5 W	31 m	51 m	82 m	82 m	128 m	217 m
2.0 m	22.0 W	23 m	38 m	61 m	62 m	96 m	163 m
2.5 m	27.5 W	18 m	31 m	49 m	49 m	77 m	130 m
3.0 m	33.0 W	15 m	26 m	41 m	41 m	64 m	108 m
3.5 m	38.5 W	13 m	22 m	35 m	35 m	55 m	93 m
4.0 m	44.0 W	11 m	19 m	31 m	31 m	48 m	81 m
4.5 m	49.5 W	10 m	17 m	27 m	27 m	43 m	72 m
5.0 m	55.0 W	9 m	15 m	25 m	25 m	38 m	65 m
5.5 m	60.5 W	8 m	14 m	22 m	22 m	35 m	59 m
6.0 m	66.0 W	8 m	13 m	20 m	21 m	32 m	54 m
6.5 m	71.5 W	7 m	12 m	19 m	19 m	30 m	50 m
7.0 m	77.0 W	7 m	11 m	18 m	18 m	27 m	46 m
7.5 m	82.5 W	6 m	10 m	16 m	16 m	26 m	43 m
8.0 m	88.0 W	6 m	10 m	15 m	15 m	24 m	41 m
8.5 m	93.5 W	5 m	9 m	14 m	14 m	23 m	38 m
9.0 m	99.0 W	5 m	9 m	14 m	14 m	21 m	36 m
9.5 m	104.5 W	5 m	8 m	13 m	13 m	20 m	34 m
10.0 m	110.0 W	5 m	8 m	12 m	12 m	19 m	33 m

Above are approximate values.